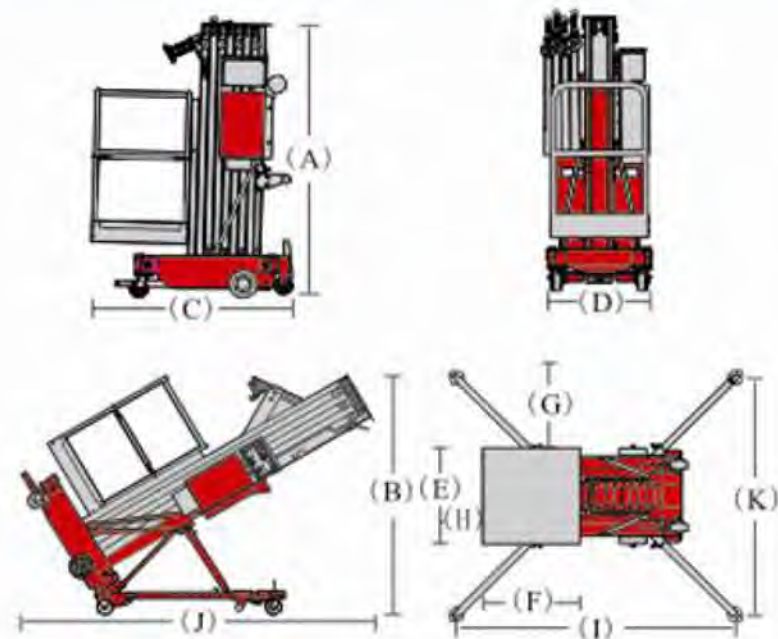


Portable Aluminum AWP II

Model	GTWZ20	GTWZ26	GTWZ32	GTWZ40
Working height Max.	8.0m	10.0m	12.0m	14.0m
Platform height Max.	6.0m	8.0m	10.0m	12.0m
Lift capacity	160kg	160kg	160kg	120kg
Basket Size (E*F)	0.69*0.68m	0.69*0.68m	0.69*0.68m	0.69*0.68m
Width, stowed (D)	0.74m	0.74m	0.74m	0.74m
Height, stowed (A)	1.97m	1.97m	1.97m	2.76m
Height, tilted back (B)	/	/	/	1.98m
Length, stowed (C)	1.27m	1.36m	1.42m	1.46m
Length, tilted back (J)	—	/	/	2.87m
Outrigger footprint (I*K)	1.77*1.49m	1.77*1.49m	1.99*1.72m	2.27*1.98m
Wall access front/side(H/G)	0.18/0.45m	0.18/0.45m	0.23/0.55m	0.42/0.65m
Power source AC/DC	220V/110V/12V			
Weights AC/DC	335kg/375kg	355kg/395kg	365KG/405KG	480kg/520kg



Portable Aluminum AWP II

For one person aerial working purpose
Maximum platform height: 6m, 8m, 10m, 12m
Maximum loading: 120Kg 160Kg

FEATURES

1. Most rigid aluminum alloy profile
2. Multi-guide pulley on mast
3. Sliding mid-rail standard
4. Tilt back frame
5. Durable base system
6. Chassis with level gauge
7. AC power to the platform
8. Dual activated up/down switch
9. Easily rolls through a narrow space
10. Small outrigger footprint
11. Outrigger storage socket
12. Easy loading in pickup trucks
13. Tie down attachment points
14. Forklift pockets

SAFETY PRECAUTIONS

1. Auxiliary platform lowering
2. Emergency stop button
3. Over load protection
4. LED lights confirm proper set-up





Ground Control

- LED lights confirm proper setup of outriggers.
- Low battery indicator
- Only lowering button accessible from the ground.
- Locking key switch prevents unauthorized use.
- Emergency stop button



Platform Control

- Large control buttons feature a dual-activated up/down switch.
- The ground fault interrupt power receptacle provides for safe, convenient use of power tools.
- All safety and instructional decals are clearly visible.



Level Gauge

It is on the chassis of the platform. If you are not level, the unique sensor system will detect it. All interlocks are conveniently displayed on the Ground Controls to confirm proper setup. Two front integral leveling jacks provide an additional two inches of adjustability.



Front Wheel with Brake

These two wheels can stop the machine from moving when transport the machine.



Motor and Hydraulic Station

They are designed at the side of the machine for convenience and safety consideration while maintenance. This design can decrease the size of the machine.



Handler

For easy moving while transportation.



Auxiliary Platform Lowering

Both DC and AC models are equipped with an auxiliary platform lowering feature that enables descent from the platform or ground control in the event of power failure.



Double Lifting Chain

The rigid and double-lift plate chain can guarantee the security when lifting and descending. Even one is broken another also can work.



Outrigger Storage Socket

Secure the outriggers during load and transport.



Buzzer and Fuse

The buzzer will ring while lifting and descending. The fuse is used to protect the circuit.



Platform

It is made up of high strength aluminum alloy which is of high stability and light weight. There is an AC power socket receptacle in it which can enable the operator use the electrical tools on the platform and also has a box for storing Instruction Manual and other small tools.



Outrigger Linchpin

It is used to limit and fix the outriggers.



Truck Loading Rod

It is in the front of the chassis and can be pulled out for easy loading on the truck.

